

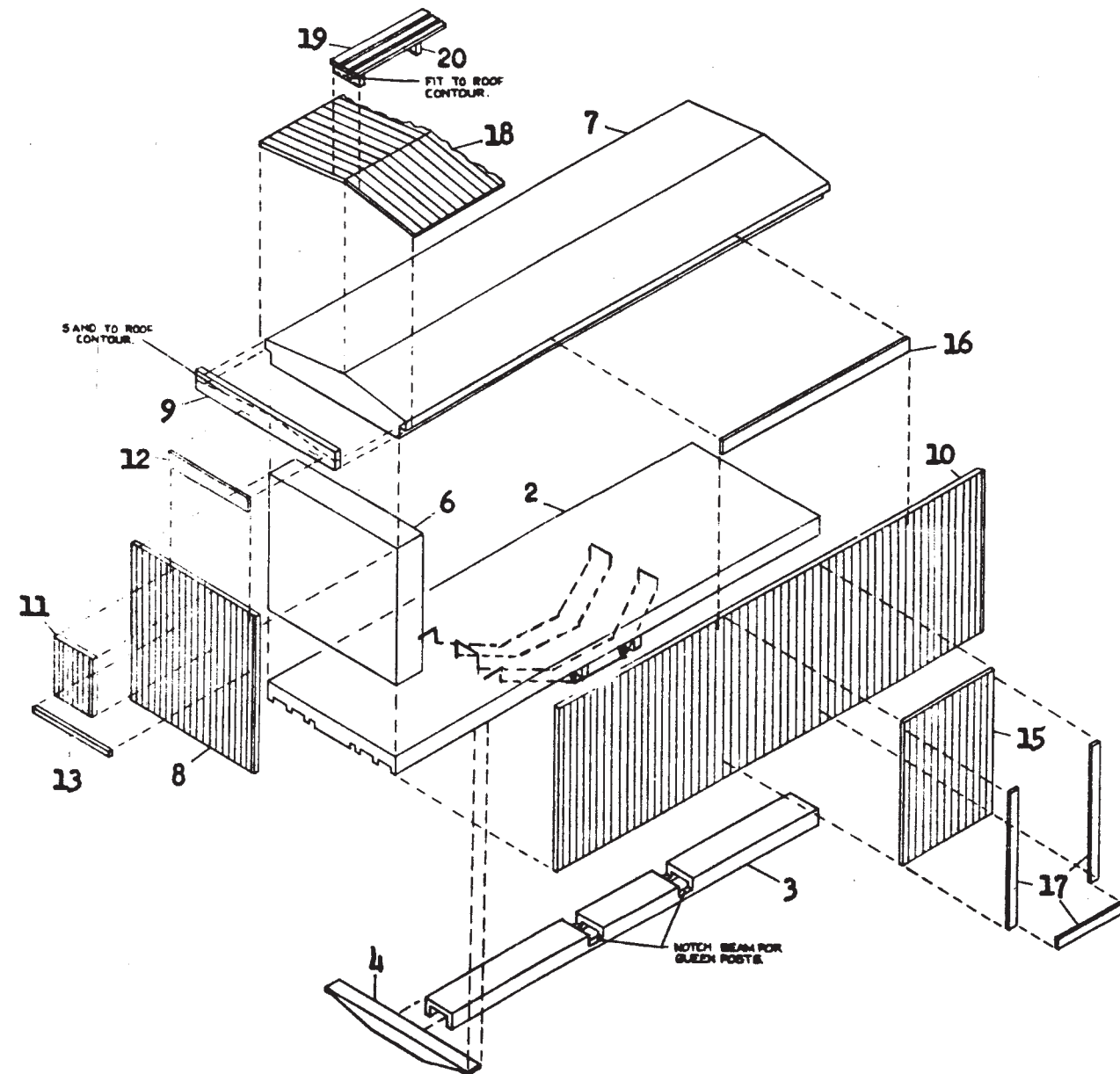
*La Belle Woodworking Company*  
MANUFACTURERS OF MODEL RAILROAD KITS



**IMPORTANT:** If Lettering is taken from envelope for examination, BE SURE it is put back until ready for use, to eliminate the possibility of transferring Lettering to some other object.

It is suggested that the ISOMETRIC and PLAN DRAWINGS be studied thoroughly, also that the parts be sorted and noted as to where they are intended to be used. It is suggested that assembly be followed by the numbers in the INSTRUCTIONS which correspond with the numbers on the ISOMETRIC and PLAN DRAWINGS.

**IMPORTANT:** STRIPWOOD COLORED ONE (1) END ONLY; is being used in several different places, BE SURE that when cutting off desired pieces, that all cuts be made from the UNCOLORED ENDS.



**FOR ALL CARS:** Determine placement of Air Line as per DETAIL "B" and drill Clearance Holes in Queenpost Needle Beams. (WIRE NOT SUPPLIED). Cement in place Queenposts (1) to Floor (2). Notch Center Sili (3) (CHANNEL) for Queenposts and cement in place. Cement in place Bolsters (4). Drill 1/64 inch Holes in Floor to receive NYLON Truss Rods (5) as per Side Elevation and Queenpost Casting Centers. Fasten one end of NYLON to top of Floor and string through holes in one continuous length, keeping NYLON taut over Queenpost Needle Beams and fasten as per ISOMETRIC DRAWING. Install Underbody "KC" Brake System at this time as per DETAIL "B". Cement End Blocks (6) to Floor, making sure they are flush with ends and sides of floor. Cement in place Roof (7). Cement in place End Wall Scribe Siding (8) making sure they are Flush with edges of end blocks and in line with Roof Rabbets. NOTE: (RACINE WAGON & CARRIAGE CAR ONLY) Before cementing end wall scribe siding in place, LAY OUT and CAREFULLY SCORE outline of End Doors. Cut to length and cement in place End Letterboards (9) from (STRIPWOOD COLORED END YELLOW). Trim off excess and sand Flush with Pitch of Roof. Cement in place Scribe Siding (10) on sides of car, making sure joints come within Side Door Area. Sand Flush with ends of car and bottom of Floor. Cut to length Small End Doors (11) as per END ELEVATIONS from Scribe Piece 1 inch long (FURNISHED). NOTE: (Used on C M & StP and SOO LINE ONLY). Sand end letterboards (9) Flush with face of end doors. Cut and cement in place End Door Track (12) (STRIPWOOD COLORED END GREEN and (13) (STRIPWOOD COLORED END RED). Cut and cement in place End Wall Braces (14) (STRIPWOOD COLORED END RED). NOTE: (Used on TOLEDO & WESTERN ONLY). Cut and cement in place End Wall Braces (14) (STRIPWOOD COLORED END RED). NOTE: (Used on TOLEDO & WESTERN ONLY). Cement in place Side Doors (15) (PRECUT TO SIZE), making sure they are up under Roof Overhang. Sand Edge of Roof Flush with Face of Doors. Cut and cement in place Door Track (16) (STRIPWOOD COLORED END BLUE). Sand Flush with Pitch of Roof. Cut to length and cement in place Side Door Rails (17) (STRIPWOOD COLORED END BLACK), as per RACINE WAGON & CARRIAGE CAR and SOO LINE Side Elevation Drawings. Check all Scribe Roof Pieces (18) for thickness at Joints. Carefully sand backside of pieces which are too thick. Cement in place Scribe Roof Pieces, making sure sufficient overhang is maintained at both ends of Roof. Sand Edges and ends of Scribe Roof until correct overhang is obtained. Make up Roof Walk (19) (STRIPWOOD COLORED END BROWN) and (20) (STRIPWOOD COLORED END RED). Drill holes and cement in place all Door Stops and Guides (21) (TRACK SPIKES). Roof Grabirons (22) should be bent to shape as per DETAIL "Z". Make up Stirrup Steps (23) as per DETAIL "Y" from Brass Ladder Stock. Drill holes in Floor and cement in place. Drill holes and cement in place PLASTIC Nut, Washer and Bolt Castings (24). NOTE: (OMIT on RACINE WAGON & CARRIAGE CAR). Separate Corner Straps (25) from Strip by cutting close to outside rivets. Bend and cement in place. Drill holes and cement in place Grabirons (26). NOTE: (FOR RACINE WAGON & CARRIAGE CAR ONLY); cement in place Brass End Door Hinges (27). Cut End Door Latch (28) from Brass Corner Strap and cement in place. Install remaining "KC" BRAKE SYSTEM as per DETAIL "C" and End Elevations. CAREFULLY lift NYLON Truss Rods up into Notches in Queenposts. Attach Turnbuckles (29). CAR IS READY FOR PAINTING: Roof, Sides and Ends BOX CAR RED. Underbody BLACK.

**CAUTION:** After painting AVOID handling Sides and Ends of Car, as the OIL FILM from fingers may prevent Lettering from transferring properly.

**LETTERING PROCEDURE:** BE SURE the INSTRUCTIONS are READ IN THEIR ENTIRETY.

**CAUTION:** When cutting and handling Letter Sheet, BE SURE it is lying on RED BACKING SHEET AT ALL TIMES, as this Red Backing Sheet prevents Lettering from transferring to any undesired surface.

**IMPORTANT:** When applying Lettering, place Car on a soft flat household sponge. This will eliminate damage to car fittings and lettering.

**FOR ALL CARS:** Cut off individual Letters, Block Settings and Heralds as per "A", "B", "C", etc, Side and End Elevation Drawings. Hold in position and rub Lettering with (BALL POINT PEN or SMOOTH ROUND END PAPER CLIP). NOTE: CAREFULLY lift Sheet to see if all Letters have transferred, if not, REPEAT this procedure until all Letters have Transferred. Remove Letter Sheet and place Red Backing Sheet over Letters and Heralds and Rub entire area. This aids in setting Letters and Heralds. NOTE: LAST DIGIT NUMBERS: When building Additional Cars, cut away Last Digit Numbers and apply Last Digit Number Desired. To insure Permanent setting of Lettering Spray Completed Car with DULL VARNISH. "CAUTION": DO NOT USE ACRYLIC or CELLULOSE LACQUER on this Lettering.